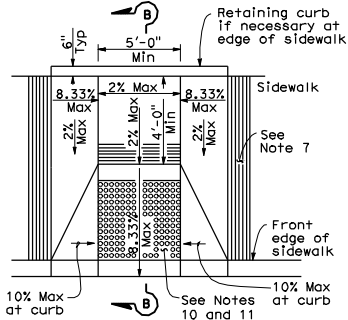
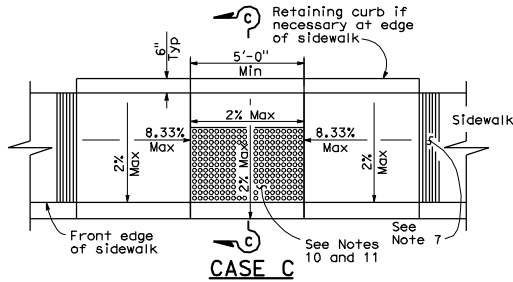


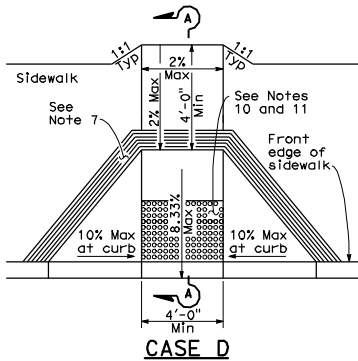
CASE A



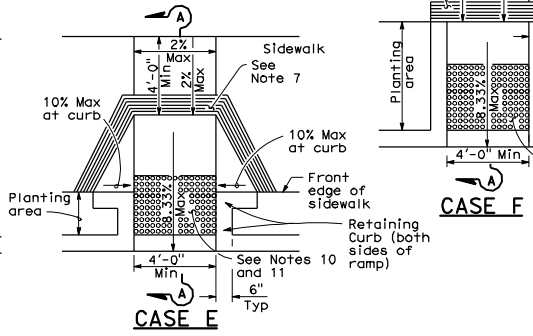
CASE B



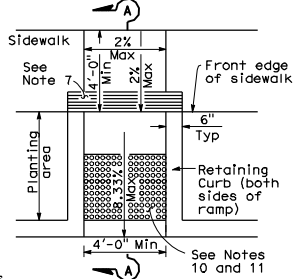
CASE C



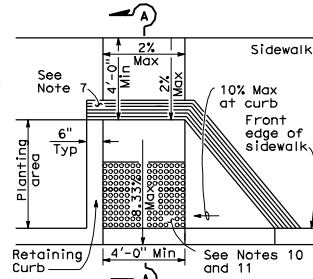
CASE D



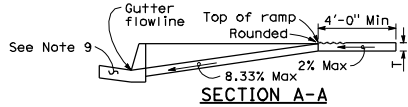
CASE E



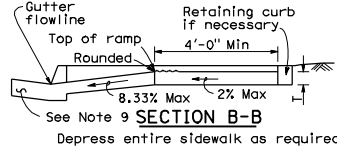
CASE F



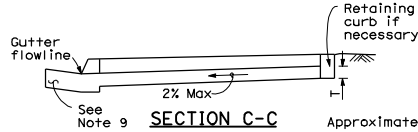
CASE G



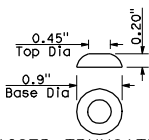
SECTION A-A



SECTION B-B



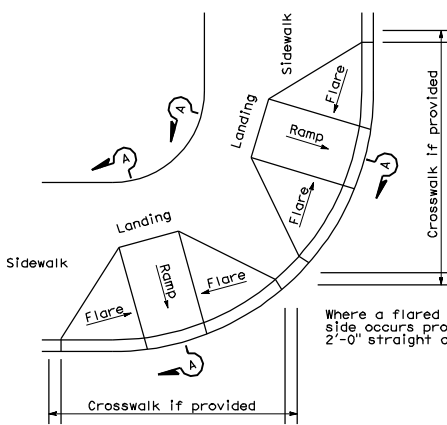
SECTION C-C



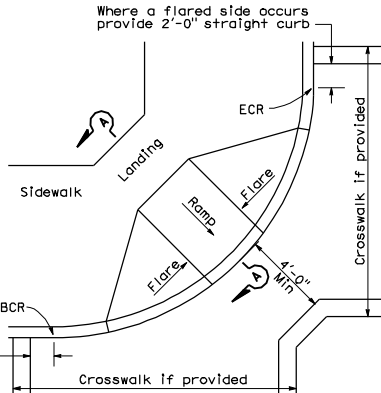
RAISED TRUNCATED DOME

NOTES:

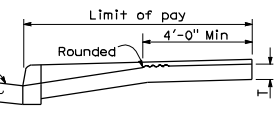
- As site conditions dictate, Case A through Case G curb ramps may be used for corner installations similar to those shown in Detail A and Detail B. The case of curb ramps used in Detail A do not have to be the same. Case A through Case G curb ramps also may be used at mid block locations, as site conditions dictate.
- If distance from curb to back of sidewalk is too short to accommodate ramp and 4'-0" platform (landing) as shown in Case A, the sidewalk may be depressed longitudinally as in Case B, or C or may be widened as in Case D.
- When ramp is located in center of curb return, crosswalk configuration must be similar to that shown for Detail B.
- As site conditions dictate, the retaining curb side and the flared side of the Case G ramp shall be constructed in reversed position.
- If located on a curve, the sides of the ramp need not be parallel, but the minimum width of the ramp shall be 4'-0".
- Side slope of ramp flares vary uniformly from a maximum of 10% at curb to conform with longitudinal sidewalk slope adjacent to top of the ramp, except in Case C and Case F.
- The curb ramp shall be outlined, as shown, with a 1'-0" wide border with 1/2" grooves approximately 1/2" on center. See grooving detail. Groove bands are not required.
- Transitions from ramps and landing to walks, gutters or streets shall be flush and free of abrupt changes.
- Maximum slopes of adjoining gutters, the road surface immediately adjacent to the curb ramp or accessible route shall not exceed 5 percent within 4'-0" of the top and bottom of the curb ramp.
- Curb ramps shall have a detectable warning surface that extends the full width and 3'-0" depth of the ramp. Detectable Warning Surfaces shall conform to the details on this plan and the requirements in the Special Provisions.
- The edge of the detectable warning surface nearest the street shall be between 6" and 8" from the gutter flowline.
- Sidewalk and ramp thickness, "T", shall be 3/2" minimum.
- Utility pull boxes, manholes, vaults and all other utility facilities within the boundaries of the curb ramp will be relocated or adjusted to grade by the owner prior to, or in conjunction with, curb ramp construction.
- For retrofit conditions, removal and replacement of curb apron will be at the Contractor's option, unless otherwise shown on project plans.



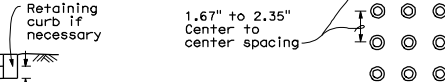
DETAIL A



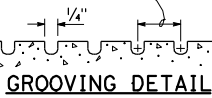
DETAIL B  
TYPICAL ONE-RAMP CORNER INSTALLATION  
See Notes 1 and 3



RETROFIT DETAIL  
Existing curb and sidewalk



RAISED TRUNCATED DOME PATTERN (IN-LINE) DETECTABLE WARNING SURFACE  
See Note 10



GROOVING DETAIL

CURB RAMP DETAILS  
NO SCALE

RSP A88A DATED SEPTEMBER 1, 2006 SUPERSEDES STANDARD PLAN A88A DATED MAY 1, 2006 - PAGE 115 OF THE STANDARD PLANS BOOK DATED MAY 2006.

REVISED STANDARD PLAN RSP A88A

MODIFIED

DIST	COUNTY	ROUTE	POST MILES TOTAL PROJECT	SHEET NO.	TOTAL SHEETS

*H. David Cochran*  
REGISTERED CIVIL ENGINEER

September 1, 2006  
PLANS APPROVAL DATE

*Hector David Cordova*  
REGISTERED PROFESSIONAL ENGINEER  
No. C41957  
Exp. 3-31-08  
CIVIL  
STATE OF CALIFORNIA

The State of California or its officers or agents shall not be responsible for the accuracy or completeness of electronic copies of this plan sheet.

To accompany plans dated \_\_\_\_\_